

Inductive Sensors



Housing Style	Part Number	ID Number	Features	Sensing Range (mm)	Output
8 mm - Embeddable, Miniature Threaded, eurofast® Quick Disconnect 	Bi 2-EG08K-AG41X-H1341	S4562011	Short Barrel	2	2-Wire DC
	Bi 2-EG08K-AG41X-H1341/S1589	S4562090	weldguard®	2	
	Bi 1.5-EG08K-AN6X-H1341	S4669150	Short Barrel	1.5	3-Wire DC NPN
	Bi 2-EG08K-AN6X-H1341	S4669560	Short Barrel	2	
	Bi 1.5-EG08K-AP6X-H1341	S4669050	Short Barrel	1.5	3-Wire DC PNP
	Bi 2-EG08K-AP6X-H1341	S4669460	Short Barrel	2	
	Bi 2-EG08K-AP6X-H1341/S1589	S4669486	weldguard	2	
	Bi 1.5-EG08K-Y1-H1341	S1003620	Short Barrel	1.5	2-Wire DC NAMUR
	Bi 1.5-EG08K-Y1X-H1341	S1003640	Short Barrel	1.5	
	8 mm - Embeddable, Miniature Threaded, eurofast Quick Disconnect 	Bi 2-EG08-AG41X-H1341	S4562001	Ext. Range	2
Bi 2-EG08-AG41X-H1341/S1589		S4562095	weldguard	2	
Bi 1.5-EG08-AD6X-H1341		S4600203		1.5	
Bi 1.5-EG08-AN6X-H1341		S4602360		1.5	3-Wire DC NPN
Bi 1.5-EG08WD-AN6X-H1341		S4602211	Washdown	1.5	
Bi 1.5-EG08-AN7X-H1341		S4602361	TTL Compatible	1.5	
Bi 1.5U-EG08-AN6X-H1341		S4600550	Uprox	1.5	
Bi 2-EG08-AN6X-H1341		S4602160	Ext. Range	2	
Bi 2-EG08-AN6X-H1341/S1589		S4602182	weldguard	2	
Bi 2U-EG08-AN6X-H1341		S4602037	Uprox	2	
Bi 1.5U-EGT08-AN6X-H1341		S4600558	Uprox	1.5	
Bi 1.5-EG08-AP6X-H1341		S4602260		1.5	3-Wire DC PNP
Bi 1.5-EG08WD-AP6X-H1341		S4602210	Washdown	1.5	
Bi 1.5U-EG08-AP6X-H1341		S4600540	Uprox	1.5	
Bi 2-EG08-AP6X-H1341		S4602060	Ext. Range	2	
Bi 2-EG08-AP6X-H1341/S1589		S4602086	weldguard	2	
Bi 2U-EG08-AP6X-H1341		S4602034	Uprox	2	
Bi 1.5U-EG08-AP6X-H1341/S1589		S4600540-1	Uprox/weldguard	1.5	
Bi 1.5U-EGT08-AP6X-H1341		S4600555	Uprox	1.5	
Bi 2-EG08-VN6X-H1341		S4602521	Comp. Outputs	2	4-Wire DC NPN
Bi 2-EG08-VP6X-H1341		S4602522	Comp. Outputs	2	4-Wire DC PNP
Bi 1.5-EG08-Y1-H1341		S1003502		1.5	2-Wire DC NAMUR

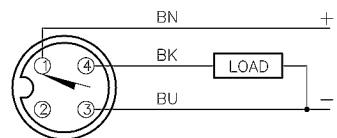


Voltage	Switching Freq. (Hz)	Operating Current (mA)	Operating Temp. (°C)	Protection	Housing	Face	Power LED	Output LED	Mating Cordset	Wiring Diagram #	Wiring Diagrams
10-65 VDC	1000	≤100	-25 to +70	IP 67	SS	PA 12	N/A	YE	RK 4T-*	1	Diagram 1
	1000	≤100	-25 to +70	IP 67	SS	WG	N/A	YE	RK 4T-*	1	
10-30 VDC	3000	≤150	-25 to +70	IP 67	SS	PA 12	N/A	YE	RK 4T-*	3	
	3000	≤150	-25 to +70	IP 67	SS	PA 12	N/A	YE	RK 4T-*	3	
10-30 VDC	3000	≤150	-25 to +70	IP 67	SS	PA 12	N/A	YE	RK 4T-*	4	Diagram 2
	3000	≤150	-25 to +70	IP 67	SS	PA 12	N/A	YE	RK 4T-*	4	
	3000	≤150	-25 to +70	IP 67	SS	WG	N/A	YE	RK 4T-*	4	
5-30 VDC	5000	Remote	-25 to +70	IP 67	SS	PA 12	N/A	N/A	RK 4.21T-*	5	Diagram 3
	5000	Remote	-25 to +70	IP 67	SS	PA 12	N/A	YE	RK 4.21T-*	5	
10-65 VDC	1000	≤100	-25 to +70	IP 67	SS	PA 12	N/A	YE	RK 4T-*	1	
	1000	≤100	-25 to +70	IP 67	SS	WG	N/A	YE	RK 4T-*	1	
	1000	≤100	-25 to +70	IP 67	SS	PA 12	N/A	YE	RK 4.2T-*	2	
10-30 VDC	3000	≤150	-25 to +70	IP 67	SS	PA 12	N/A	YE	RK 4T-*	3	Diagram 4
	3000	≤150	-10 to +85	IP 68, 69K	SS	PA 12	N/A	YE	RK 4T-*	3	
	2000	≤150	-25 to +70	IP 68	SS	PA 12	N/A	YE	RK 4T-*	3	
	2000	≤150	-30 to +85	IP 67	SS	PA 12	N/A	YE	RK 4T-*	3	
	3000	≤150	-25 to +70	IP 67	SS	PA 12	N/A	YE	RK 4T-*	3	
	3000	≤150	-25 to +70	IP 67	SS	WG	N/A	YE	RKG 4T-*	3	
	1000	≤150	-35 to +85	IP 68	SS	PA 12	N/A	YE	RK 4T-*	3	
3000	≤150	-30 to +85	IP 67	TC	TC	N/A	YE	RK 4T-*	3		
10-30 VDC	3000	≤150	-25 to +70	IP 67	SS	PA 12	N/A	YE	RK 4T-*	4	Diagram 5
	3000	≤150	-10 to +85	IP 68, 69K	SS	PA 12	N/A	YE	RK 4T-*	4	
	2000	≤150	-30 to +85	IP 68	SS	PA 12	N/A	YE	RK 4T-*	4	
	3000	≤150	-25 to +70	IP 67	SS	PA 12	N/A	YE	RK 4T-*	4	
	3000	≤150	-25 to +70	IP 67	SS	WG	N/A	YE	RKG 4T-2	4	
	1000	≤150	-35 to +85	IP 68	SS	PA 12	N/A	YE	RK 4T-*	4	
	2000	≤150	-30 to +85	IP 67	SS	WG	N/A	YE	RK 4T-*	4	
2000	≤150	-30 to +85	IP 67	TC	TC	N/A	YE	RK 4T-*	4		
10-30 VDC	3000	≤200	-25 to +70	IP 67	SS	PA 12	N/A	YE	RK 4.4T-*	6	Diagram 6
10-30 VDC	3000	≤200	-25 to +70	IP 67	SS	PA 12	N/A	YE	RK 4.4T-*	7	
5-30 VDC	5000	Remote	-25 to +70	IP 67	SS	PA 12	N/A	N/A	RK 4.21T-*	5	Diagram 7

Barrels

* Length in meters.

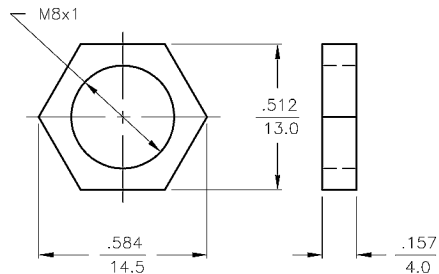
WIRING DIAGRAM



OUTPUT: AP6X

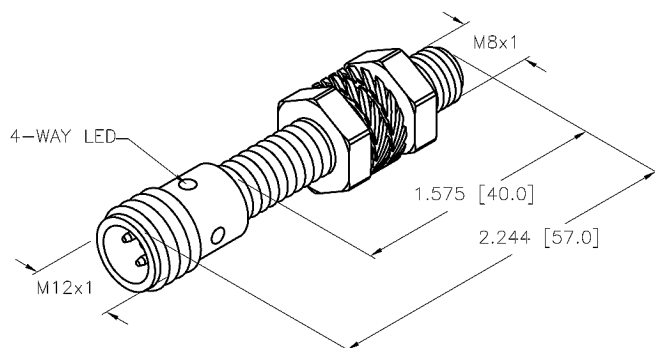
SHORT-CIRCUIT AND OVERLOAD PROTECTED

LOCKNUT LN-SS08



SPECIFICATIONS

RATED OPERATING DISTANCE	2mm = .079" (NOMINAL)
MOUNTING MODE	FLUSH
MIN. REPEAT ACCURACY	≤ 2%
TEMPERATURE DRIFT	≤ ±10%
HYSTERESIS (SWITCHING DISTANCE)	3-15%
OPERATING TEMPERATURE	-30°C to +85°C (-22°F to +185°F)
RATED OPERATIONAL VOLTAGE	10-30 VDC
MAX. RIPPLE	≤ 10%
DC RATED OPERATIONAL CURRENT	≤ 150 mA
NO-LOAD CURRENT	≤ 15 mA
MAX. OFF-STATE CURRENT	≤ 0.1 mA
RATED INSULATION VOLTAGE	≤ 0.5 kV
SHORT-CIRCUIT PROTECTION	INCORPORATED
MAX. VOLTAGE DROP	≤ 1.8 V
WIRE BREAKAGE PROTECTION	INCORPORATED
REVERSE POLARITY PROTECTION	INCORPORATED
OUTPUT FUNCTION	3-WIRE, NORMALLY OPEN, PNP
MAX. SWITCHING FREQUENCY	≤ 1 kHz
HOUSING MATERIAL	METAL, A4 1.4404 (AISI 316L)
ACTIVE FACE	PLASTIC, PA12-GF20
CONNECTOR	M8x1
VIBRATION RESISTANCE	55 Hz, 1 mm AMPLITUDE (IN ALL 3 PLANES)
SHOCK RESISTANCE	30 g, 11 ms
DEGREE OF PROTECTION	IP68
SWITCHING STATUS INDICATION	LED, YELLOW



SOURCE DRAWING - FOR REFERENCE ONLY

RELATED DOCUMENTS 1. 2. 3. 4.	3RD ANGLE PROJECTION	THIS DRAWING IS PROPERTY OF TURCK INC. USE OF THIS DOCUMENT WITHOUT WRITTEN PERMISSION IS PROHIBITED.		 High Technology Sensors and Automation Controls	
	MATERIAL	TOLERANCES UNLESS OTHERWISE SPECIFIED	DRFT RDS		
FINISH	.X ±0.02 .XX ±0.01 .XXX ±0.005 ANGLES ±1° ALL MILLIMETER DIMENSIONS ARE REFERENCE ONLY	DSGN TB	SCALE 1=1.0	IDENTIFICATION NO.	REV
		UNIT OF MEASUREMENT INCH MILLIMETER 		S4602034	B
B	UPDATE TEMP. SPEC.	RDS	10/29/07	19057	
REV	DESCRIPTION	BY	DATE	ECO NO.	
				DO NOT SCALE THIS DRAWING	FILE: S4602034
					SHEET 1 OF 1